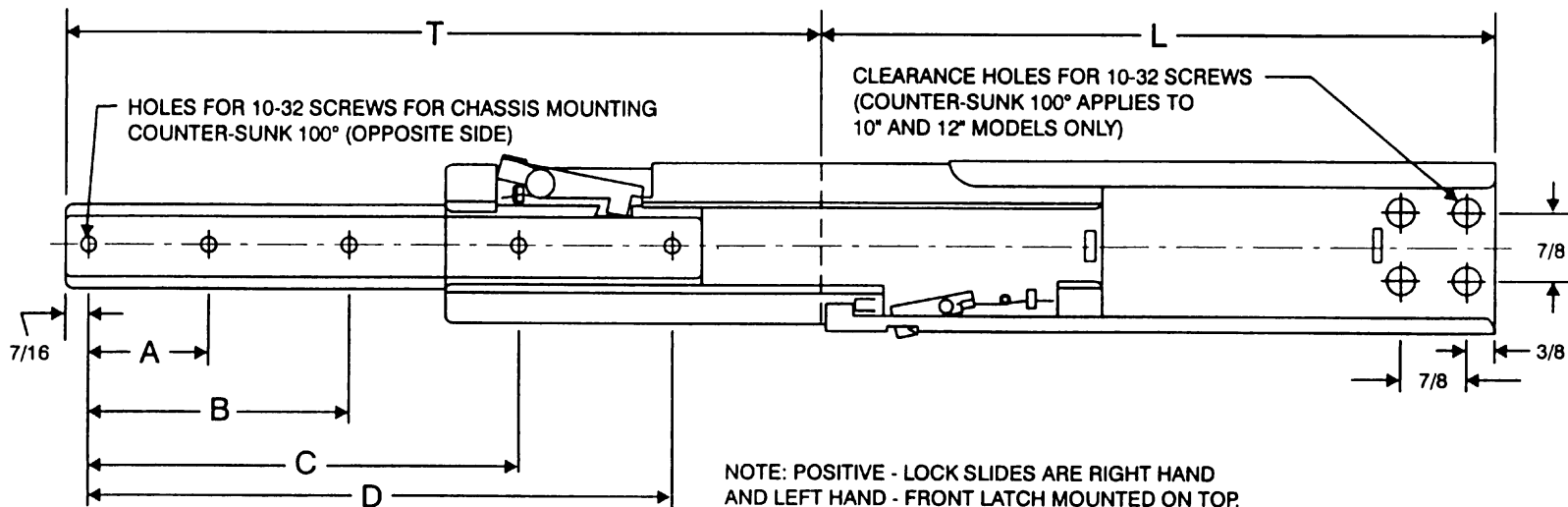
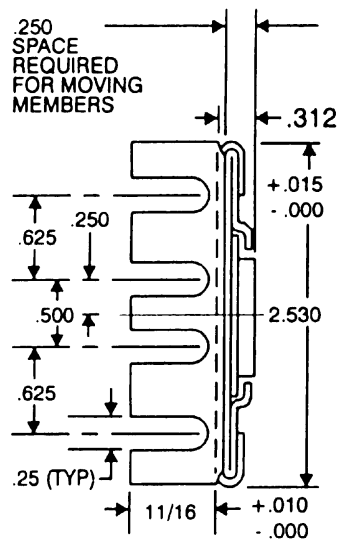


# SLIM-TRACK 3-SECTION SOLID-BEARING SLIDE MODEL: ST



NOTE: POSITIVE - LOCK SLIDES ARE RIGHT HAND AND LEFT HAND - FRONT LATCH MOUNTED ON TOP.

**NOTES:**  
 ALL HARDWARE: STAINLESS STEEL OR ZINC PLATED.  
 FINISH: MOLYBDENUM DISULPHIDE. PERMANENT DRY LUBRICANT BAKED ON AT 400° PER MIL - L - 46010B OVER PHOSPHATE COATING PER DOD P - 16232, TYPE M. NEVER NEEDS LUBRICATION.

MATERIAL: PRIME, HARD COLD ROLLED STEEL.  
 SOLID BEARING. SUPERIOR PERFORMANCE AGAINST HIGH SHOCK AND VIBRATION.

LOAD CAPACITY TO 175\* LBS. IN EXTENDED POSITION.  
 \*LOAD RATINGS ARE BASED ON A PAIR OF 18" SLIDES WITH STANDARD EXTENSION.

CHOICE OF POSITIVE LOCKING IN BOTH DIRECTIONS IN EXTENDED POSITION, OR STOP - OUT ONLY, WHICH ALLOWS EASY ENTRY OF CHASSIS INTO CABINET WITHOUT MANIPULATION OF CATCHES.

SLIDES SHIPPED WITH 2" STANDARD REAR MOUNTING BRACKETS. IF SPECIFIED, ANY OF THE FOLLOWING SIZE REAR MOUNTING BRACKETS WILL BE SHIPPED WITH SLIDES: 4", 6", 8", 10", OR 12".

When ordering, please specify features needed: e.g

- ST - 20 - PL (Positive locking when extended)
- ST - 20 - SO (Stop - out only)
- FD (Fast disconnect)
- ST - M (Military model)



BARNES ENGINEERING COMPANY  
 2718 DELTA PLACE  
 COLORADO SPRINGS, CO 80910  
 TELEPHONE: (719) 390-6500  
 FAX: (719) 390-6700  
 TOLL FREE: (800) 995-6050  
[www.slimtrack.com](http://www.slimtrack.com)

## SLIDE DIMENSIONS

MODEL	L	T	A	B	C	D
ST - 10	10	11	3.120	6.250		
ST - 12	12	13	3.750	7.500		
ST - 14	14	15	4.370	8.750		
ST - 16	16	17	5.000	10.000		
ST - 18	18	19	5.620	11.250		
ST - 20	20	21	3.125	6.250	9.375	12.500
ST - 22	22	23	3.937	7.875	11.812	15.750
ST - 24	24	25	4.437	8.875	13.312	17.750
ST - 26	26	27	4.937	9.875	14.812	19.750
ST - 28	28	29	5.437	10.875	16.312	21.750
ST - 30	30	31	5.937	11.875	17.812	23.750